

DR. DISH

**DR. DISH REBEL+ AND ALL-STAR+
USER MANUAL**



SPECIFICATIONS

2

1. Product Specifications

Product Storage Dimensions 48in x 32in x 78in (LxWxH)

Product Weight 275 lbs

2. Power Supply Specifications

Power Input 115Vac @ 7A or 230Vac @ 4A

Frequency 50/60hz

Output Rating 24Vdc, 350W

Note: If using a 230V outlet, please contact manufacturer prior to plugging in machine, see back cover.

3. Applicable Standards

ASTM F2276-10

Standard Specification for Fitness Equipment



READ AND SAVE THESE INSTRUCTIONS

IMPORTANT SAFETY INSTRUCTIONS

1. Read all the instructions before using the machine.
2. This is not a toy and is intended for use by or under the supervision of adults.
3. Do not come in contact with moving parts.
4. Only use the attachments recommended or sold by the manufacturer.
5. Do not leave outdoors or expose to rain or moisture.
6. To disconnect, turnoff all controls, then unplug from outlet.
7. Do not remove electrical cord attached to the base frame of the machine.
8. To unplug, grasp the plug. Do not unplug by pulling on cord.
9. Unplug from outlet when not in use and before servicing or cleaning.
10. Do not operate machine if it is damaged in any way such as damaged electrical cord or plug, after machine malfunctions, is dropped or damaged in any other manner. Call manufacturer for examination, repair, or to make electrical or mechanical adjustment.
11. See page 16 for preventative maintenance. If further maintenance is required, please contact manufacturer.
12. This machine incorporates an earth ground connection for functional purposes only.

3

GROUNDING INSTRUCTIONS

This appliance must be grounded. In the event of malfunction or breakdown, grounding provides a path of least resistance for the electric current to reduce the risk of electrical shock. This appliance is equipped with a cord having an equipment-grounding conductor and a grounding plug. The plug must be plugged into an appropriate outlet that is properly installed and grounded in accordance with all local codes and ordinances.

Improper connection of the equipment-grounding conductor can result in a risk of electrical shock. Check with a qualified electrician if you are in doubt as to whether the appliance is properly grounded. Do not modify the plug provided with the appliance. Never remove the grounding prong from the plug. If damaged, have it repaired by manufacturer before use. If the plug will not fit the outlet, have a proper outlet installed by a qualified electrician.

⚠ CAUTION ⚠ ATTENTION

This Is Not A Toy and Intended for Use By or Under the Supervision of Adults.
Ceci n'est pas un jouet et est destiné à être utilisé par ou sous la surveillance d'adultes.

⚠ WARNING ⚠ AVERTISSEMENT

To reduce the risk of electrical shock, unplug before cleaning or servicing.
Pour réduire le risque d'électrocution, débranchez-le avant de le nettoyer ou de l'entretenir.

TABLE OF CONTENTS

4

Specifications	2
Important Safety Instructions	3
Table of Contents	4
General Information	5
Components In Box	6
Assembly	7-8
Feature Locations	9
Shot Counter Installation	10
Net System	11
Ball Launch Distance	12
Placement on Court	13
Powering On	14-15
Extras	16
Tracking Statistics	
Troubleshooting and Service	17-18
Troubleshooting	
Cleaning	
Maintenance Schedule	
Warranty Information	19-21
Dr. Dish Accessories	22
Contact Information	23

GENERAL INFORMATION

5

1. Storing

The Dr. Dish should be stored in a dry, dust-free environment.

2. Moving

The Dr. Dish can be moved with one person on a flat and level surface. If moving on an incline, two people are recommended.

3. Placement

The Dr. Dish should be used on a solid, level surface.

4. Personal Safety

To reduce the risk of serious injury, read all important precautions and instructions in this manual and all warnings on the product before use. It is the responsibility of the owner to ensure that all users of this product are adequately informed of all warnings and precautions. Use the product only as described in this manual. Airborne Athletics assumes no responsibility for personal injury or property damage sustained by or through the use of this product.

Playing basketball, or training in the sport of basketball, is exercise. How you begin your exercise program depends on your physical condition. Before beginning any exercise program, consult your physician. This is especially important for persons over age 35 or persons with pre-existing health problems. Frequent and strenuous exercise should be approved by your doctor first.

Warming up is an important part of your workout and should begin every session. It prepares your body for more strenuous exercise by heating up and stretching out your muscles, increasing your circulation and pulse rate, and delivering more oxygen to your muscles. At the end of your workout, repeat the warm up exercises to reduce sore muscle problems.

If any discomfort should result from your use of this product, stop exercising and consult your doctor. While performing any type of exercise routine you must drink plenty of fluids. You must replace the water lost from exercising to avoid dehydration. Avoid drinking large amounts of cold liquids. Fluids should be at room temperature when consumed. It's important to work at your own pace.

Please keep all children away from the product when product is unattended. Adult supervision is required at all times during use of this product.

Please ensure this product is assembled and installed by adults.

5. Equipment

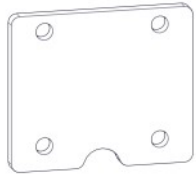
Inspect the Dr. Dish before use to ensure working order.

ITEMS IN PARTS BOX

Remove all packaging cable ties that are securing the counter, frame, and net poles prior to use.

6

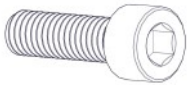
Ball Distance Plate



Distance Knob



M6 Bolt x 4



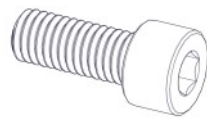
M8 Washer x 2



M6 Washer x 4



M8 Bolt x 2



5mm Allen Wrench



6mm Allen Wrench



ITEMS ON NET FRAME

Shot Counter Head with wire



Shot Counter Handle

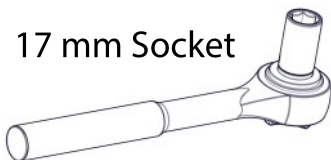


Useful Tools

Utility Knife or Scissors



17 mm Socket



Lost or missing parts?
Contact us for help at
1-888-887-7453

Items needed for shot counter assembly (found in parts box)

M10 Nut x 2



M10 Bolt x 2



17mm Open Wrench



8mm Allen Wrench



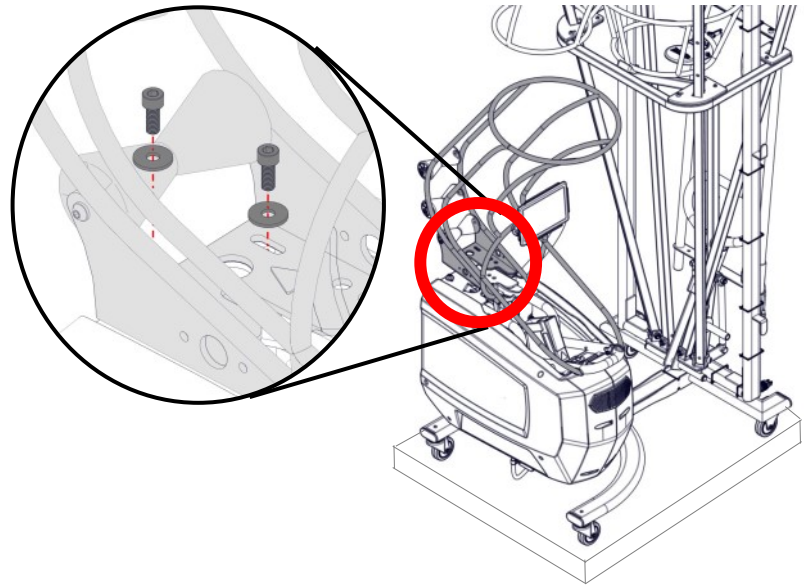
Dr. Dish accessories available for purchase on page 21

ASSEMBLY

7

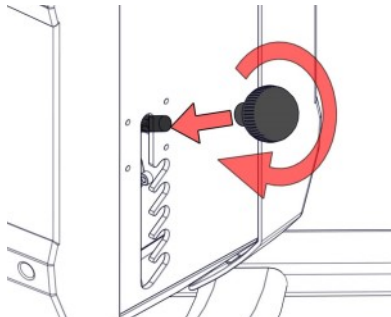
1. Attach Ball Feeder While Machine is Still On Pallet

Install ball feeder using 2 washers and 2 M8 bolts.

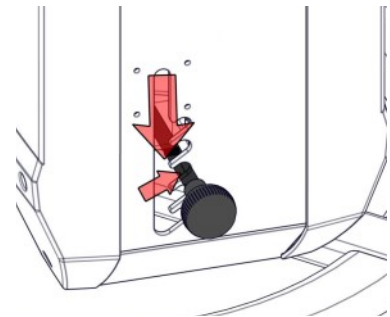


2. Attach Ball Distance Knob

Install knob.

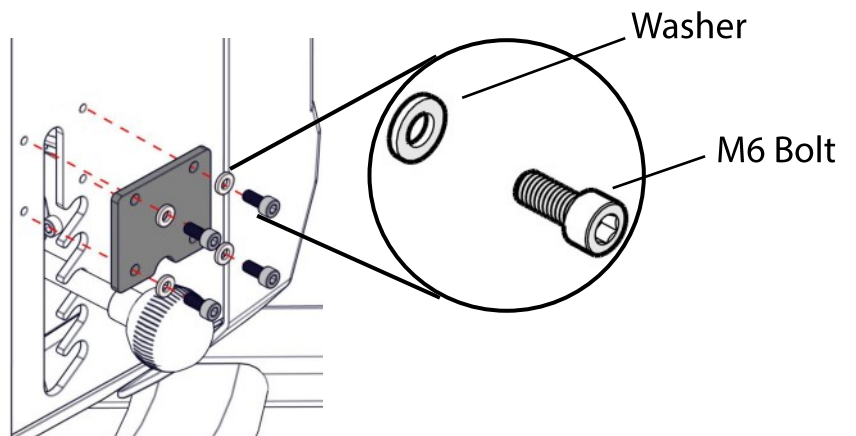


Move Lever to lower position.



3. Attach Plate

Install plate using 4 washers and 4 M6 screws.



ASSEMBLY

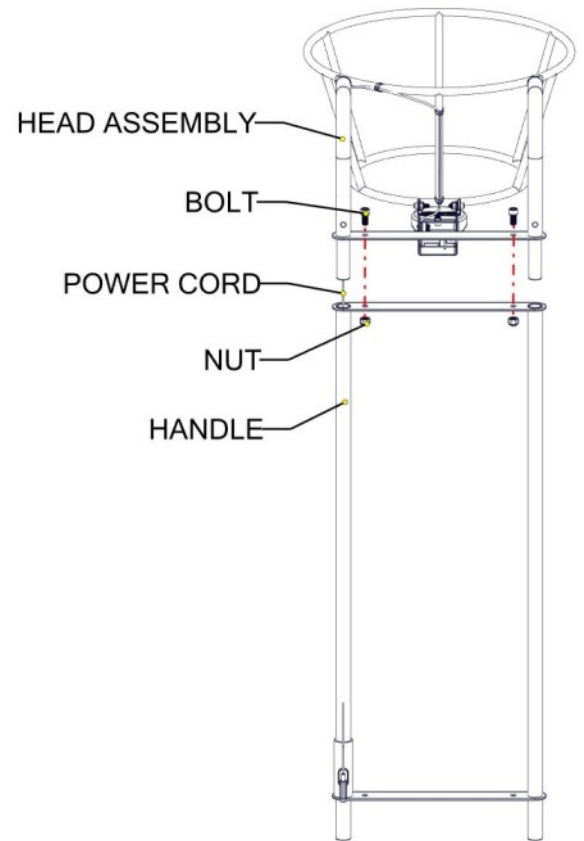
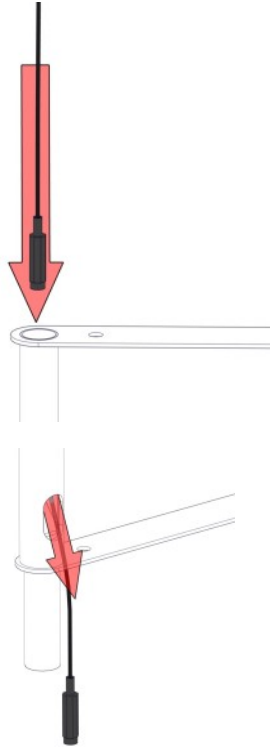
Shot Counter Assembly



8

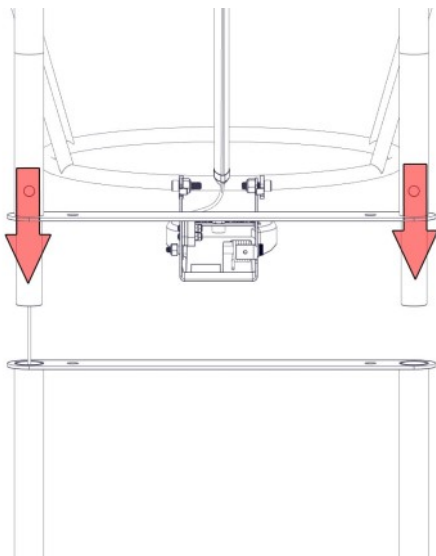
1. Route Power Cord

Insert power cord in tube of handle, coming out the bottom oval hole



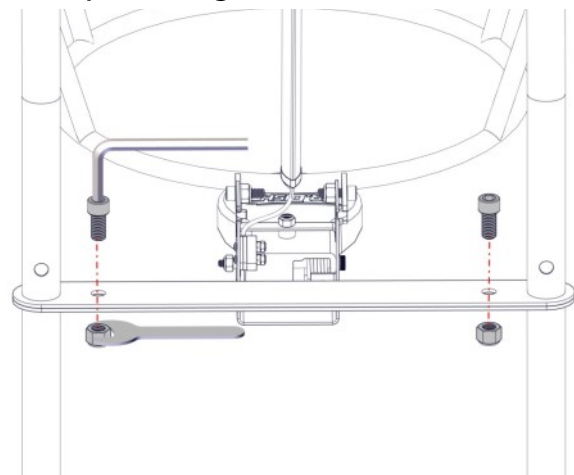
2. Slide Together

Insert Head Assembly into Handle



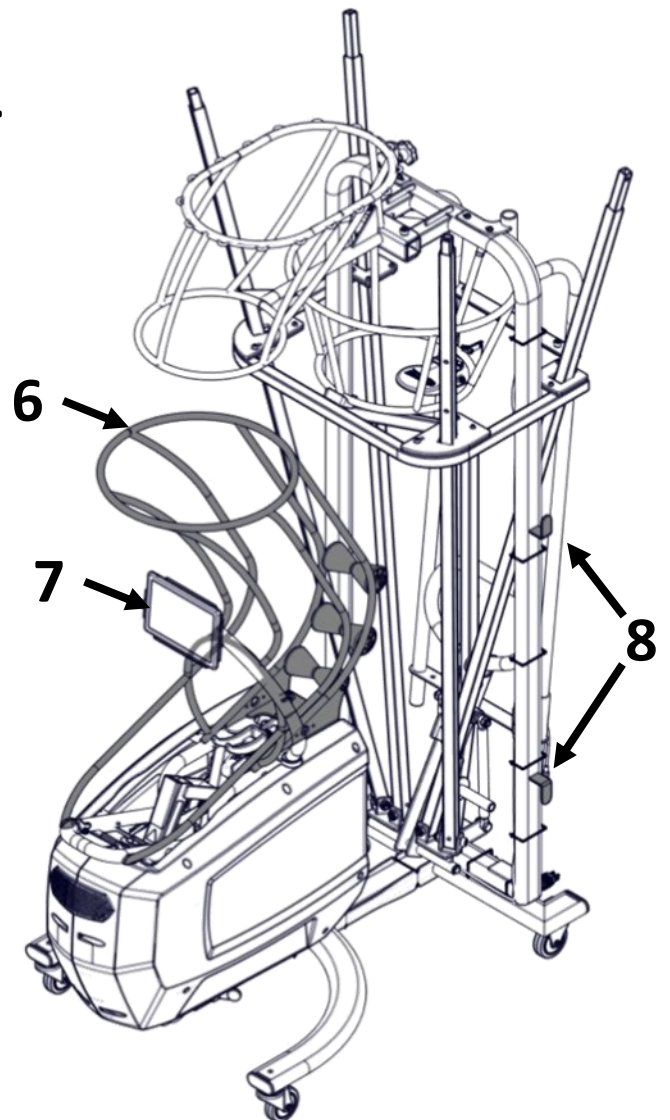
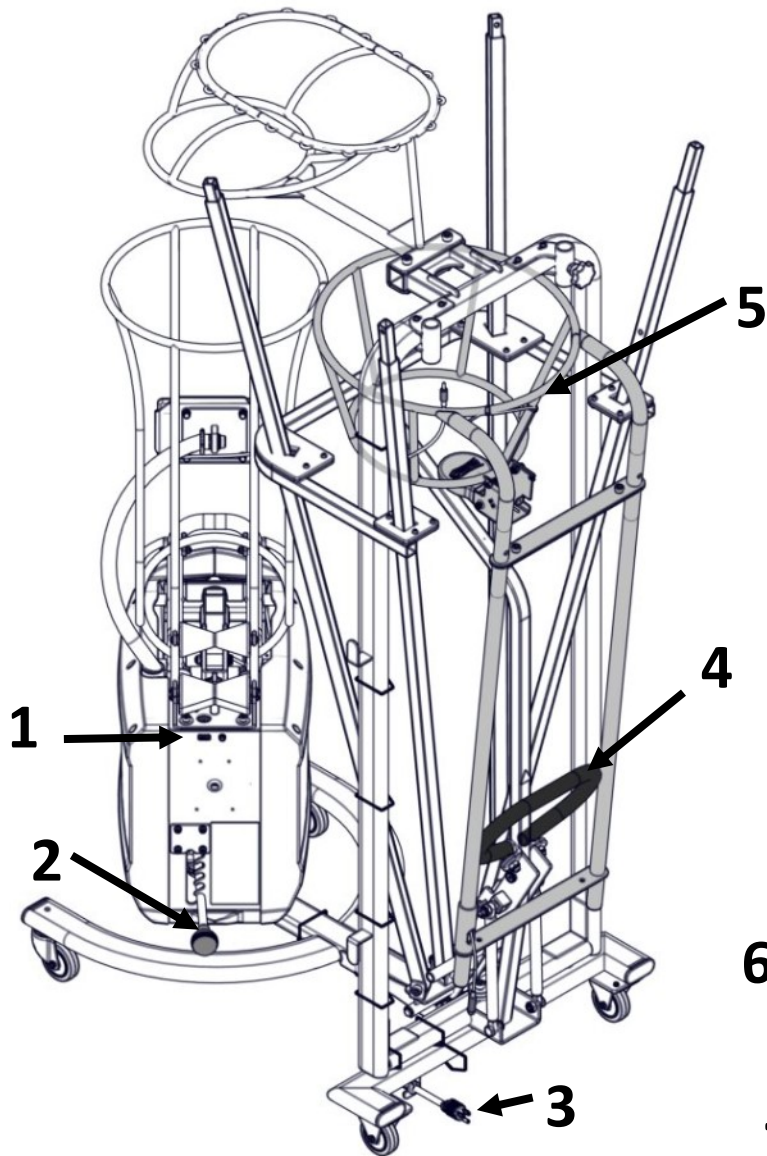
3. Bolt Together

8mm Allen and 17mm wrench included in parts bag



FEATURE LOCATIONS

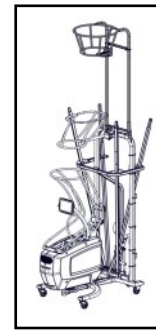
9



- 1. Master Power Switch
- 2. Ball Distance Adjustment
- 3. Power Plug
- 4. Net System Handle
- 5. Shot Counter (stored)
- 6. Ball Feeder
- 7. HUD Touch Screen
- 8. Extension Cord Holder

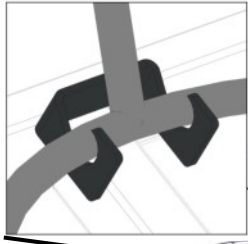
SHOT COUNTER INSTALLATION

Shot Counter Installing on Frame

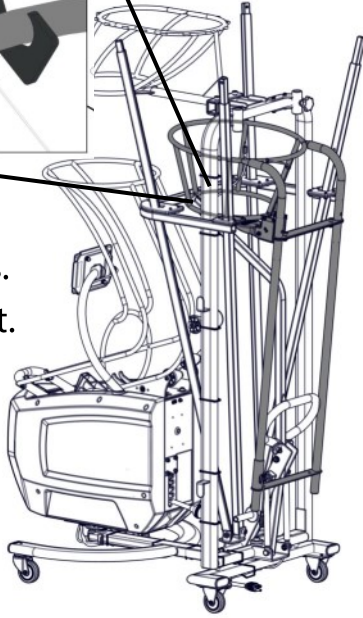


10

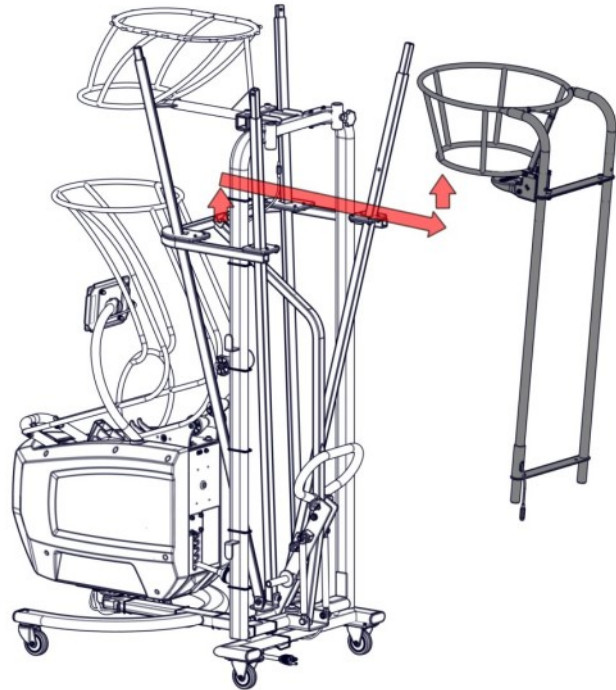
1. Remove Counter from Frame



Shot counter rests on hooks. Lift up and out.

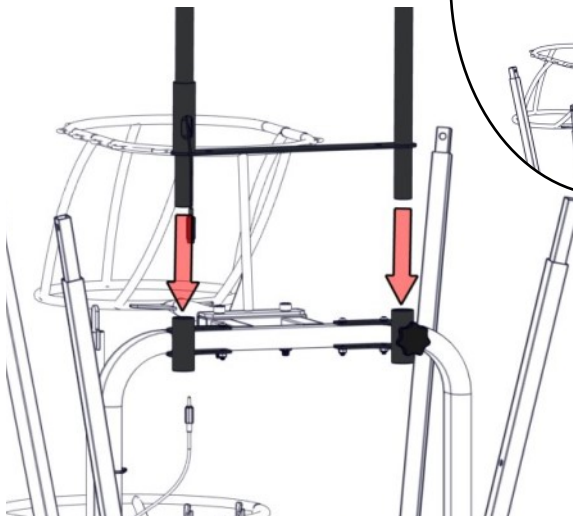


Lift up and out to remove.



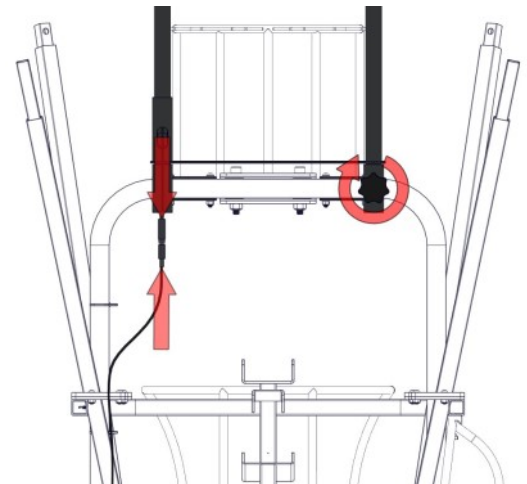
2. Place on Frame

Shot counter basket to face forward.

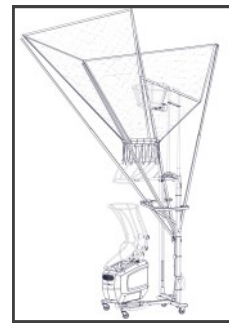


3. Secure and Plug In

Hand tighten knob and firmly push plugs together.

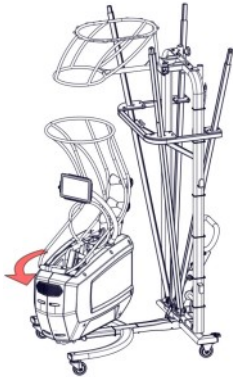


NET SYSTEM



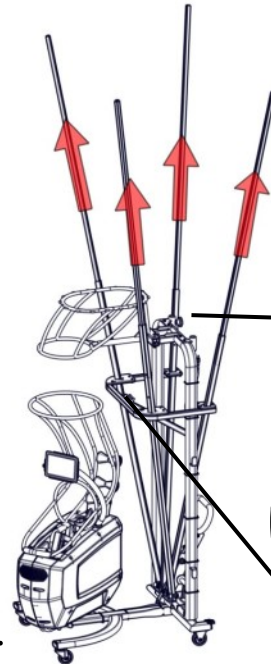
11

1. Rotate Machine



Machine must be rotated at least 45° in either direction to prevent damage.

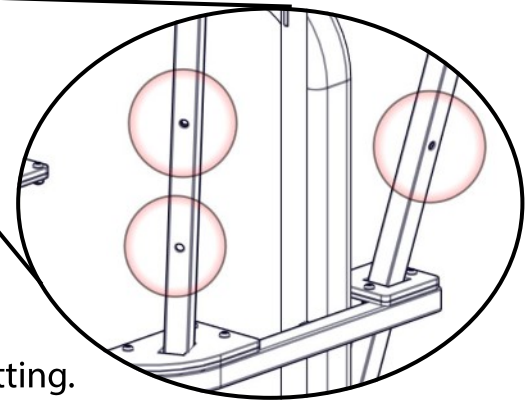
2. Extend Poles



(Net not shown)

Ensure net is not caught on frame.

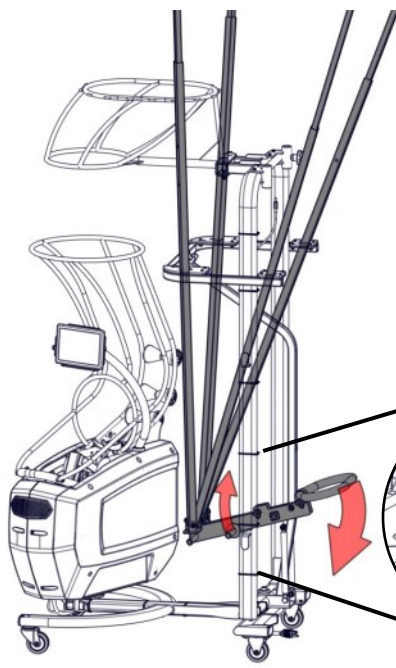
Extend all 4 poles until they click into place. ***



***Net has a high and a low setting.

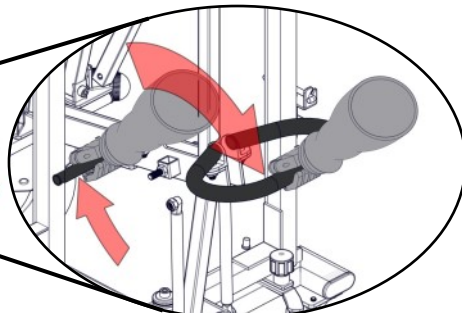
- For taller players and 3 point shots use higher setting.

3. Raise Net

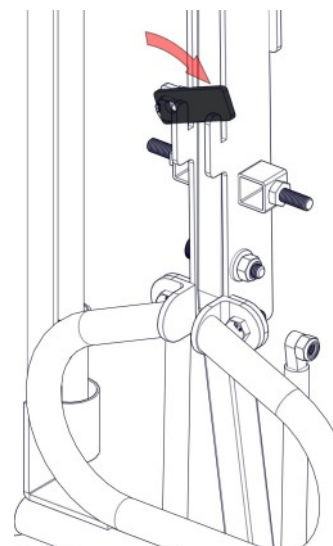


(Net not shown)

Use both hands to rotate handles clockwise to raise net.



4. Secure

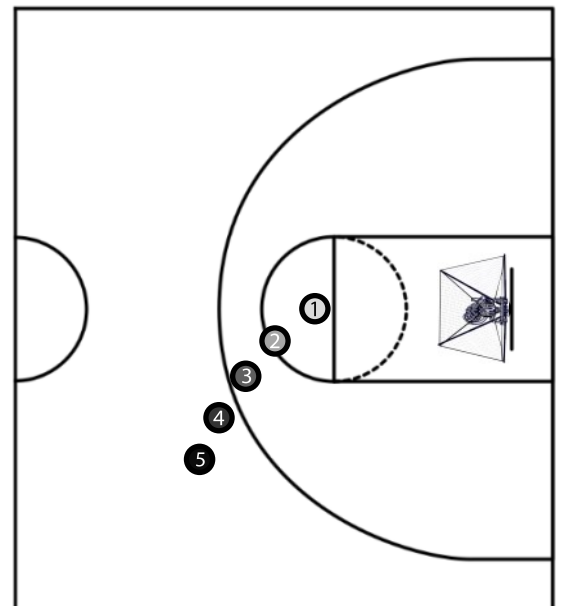
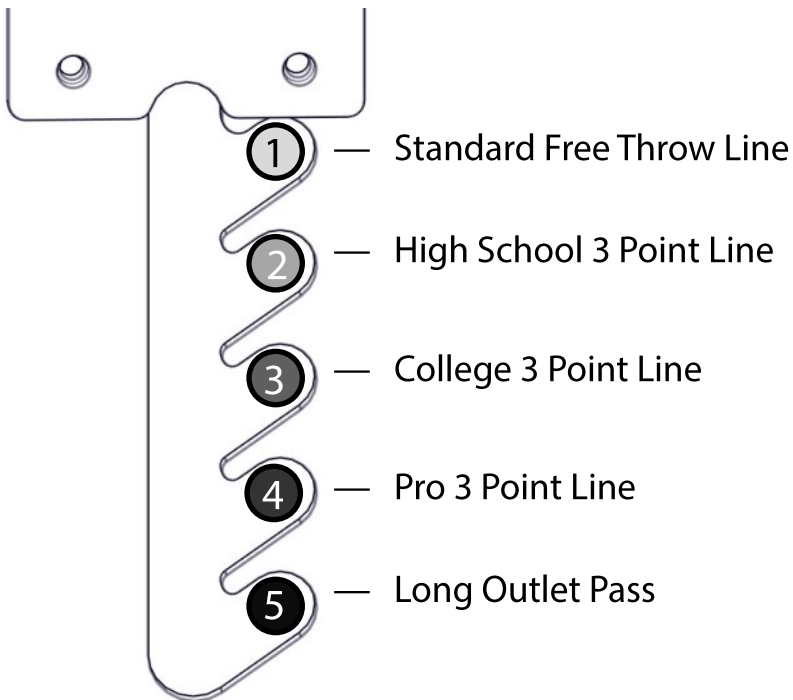
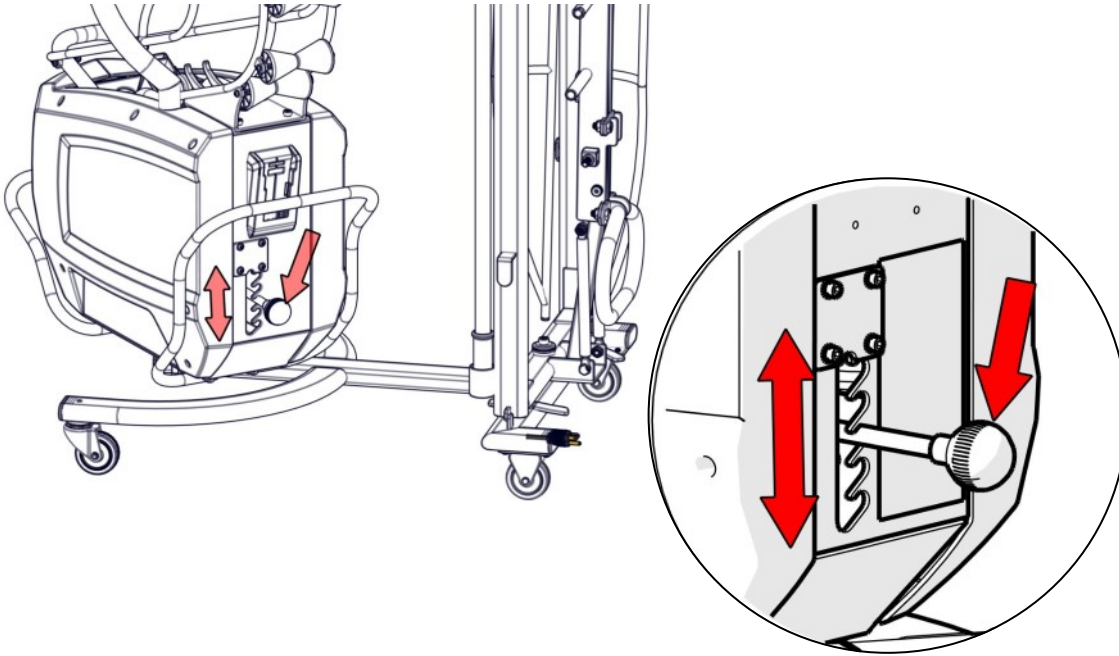


Flip down safety latch to lock net in up position.

BALL LAUNCH DISTANCE

Adjust Throwing Distance

1. Push Down to Move into Desired Position



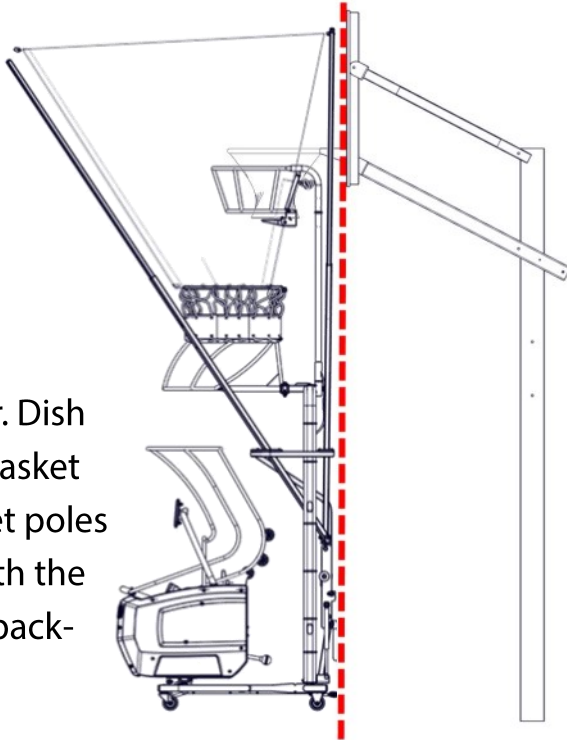
Note: Distance varies based on player height.

PLACEMENT ON COURT

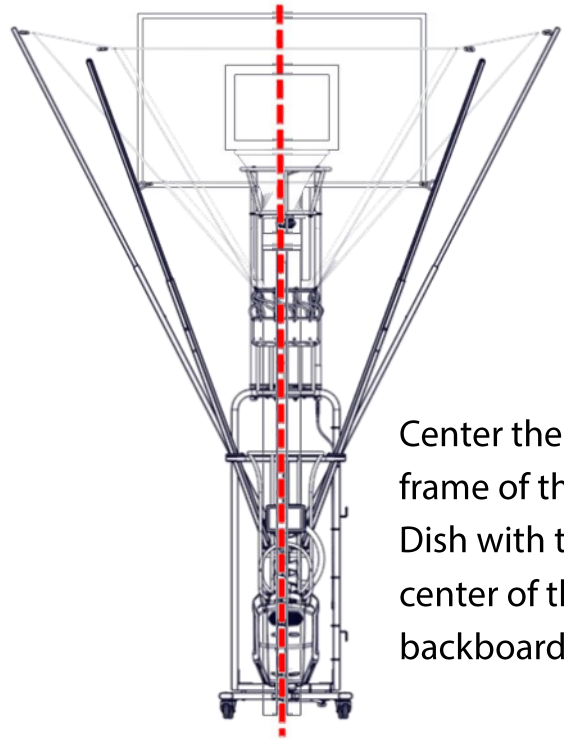
Positioning Under the Hoop

13

Place the Dr. Dish under the basket until rear net poles are even with the face of the backboard.

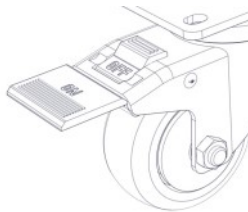


Center the frame of the Dr. Dish with the center of the backboard.

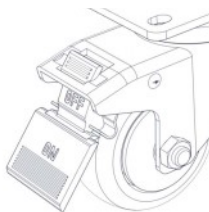


Front wheels lock to keep machine from moving

Unlocked



Locked



POWERING ON

Getting Ready to Work Out

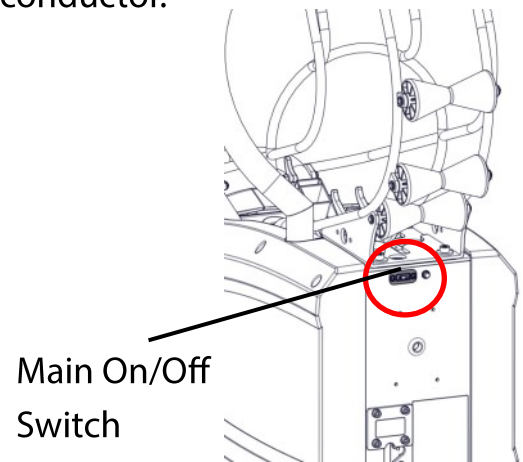
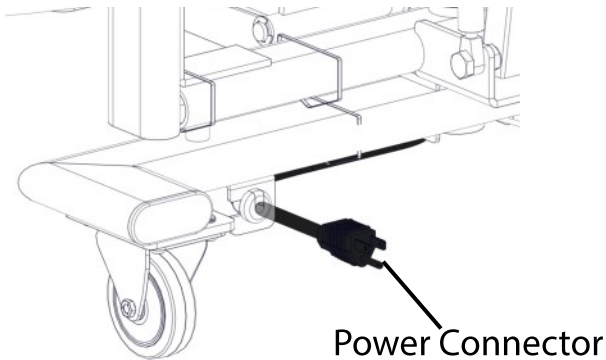
14

1. Use Extension Cord to Plug In and Power On

Securely attach extension cord to connector under net frame.

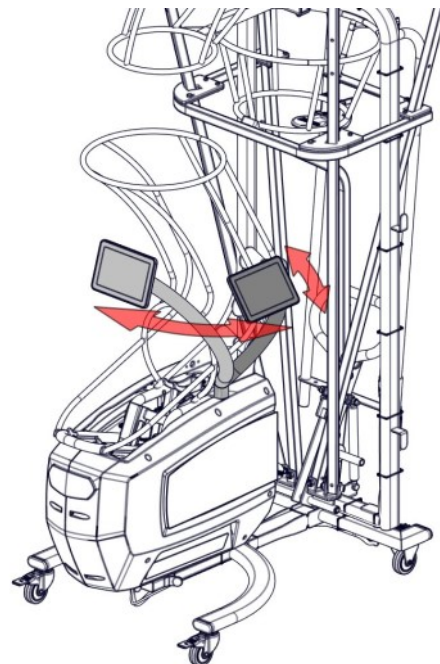
Main on/off power switch is on the back side of the machine.

This product requires a type W extension cord that is certified and rated for at least 120 V, 14 AWG minimum with grounding conductor.



2. Rotate Monitor to Side

Monitor can rotate horizontally and vertically for best viewing position.



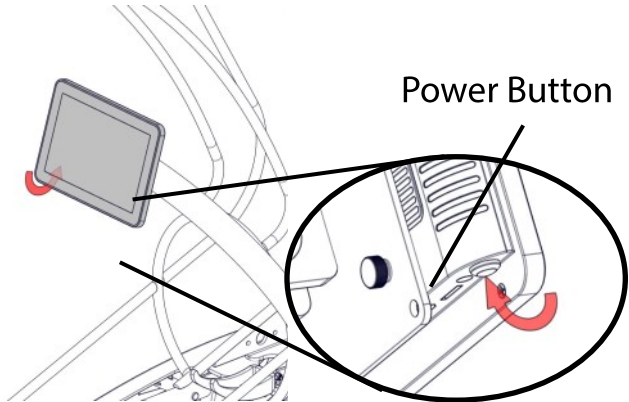
POWERING ON CONTINUED

Getting Ready to Work Out

15

3. Touchscreen

Screen automatically turns on when machine is powered on.

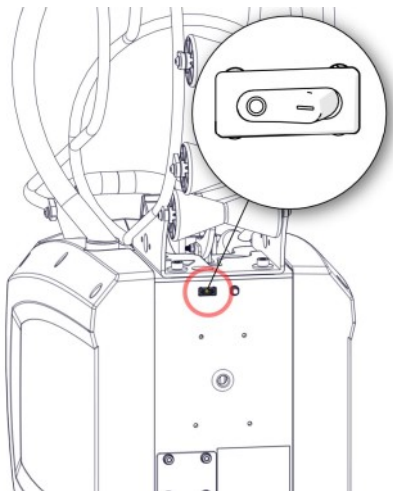


If you want to turn the screen off, the power button is located on back side, lower right corner. This does not power off the entire machine.

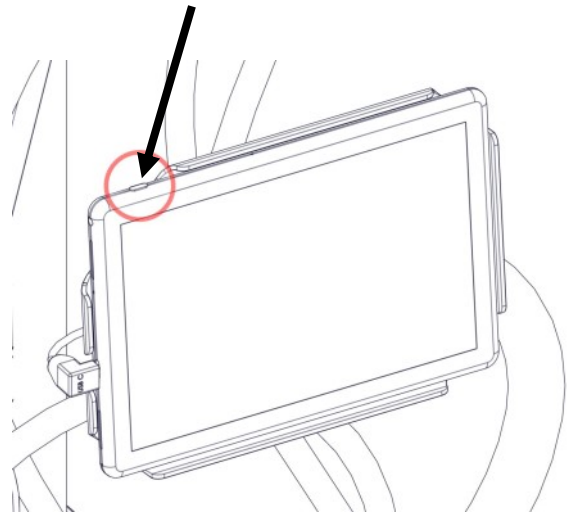
Touchscreens with a Power Button on Top Left Corner (typical of machines purchased before 2024)

- A. Turn on the Main Power Switch on the back of the machine. Blue light will blink inside the front of the machine.
- B. Hold touchscreen power button for 10 seconds until screen turns black. Dr. Dish logo will appear in another 3 seconds.

Flip power switch to on position (|) to power on.



HUD Touchscreen Power Button
HOLD for 10 Seconds



TRACKING STATISTICS (FULL ACCESS WITH ALL-STAR+ ONLY)

Create Your Account

For access to all of the greatness beyond the screen and statistical tracking, create your Dr. Dish account. You will need an email address, phone number is optional.

- On the machine, on the left side of the screen, select **Profile**.
- Then select **Create Account** and follow the onscreen instructions.

Other Ways to Access Your Account

TROUBLESHOOTING & SERVICE

Troubleshooting

Balls stuck in net

After extensive use the net may stretch. Tighten the net by feeding excess bungee cord through the frame working from the front to back on each side. Feed the excess through the cord stops. Cut excess cord off with a scissors.

Other Pointers

To ensure each pass is consistent, make sure to use properly inflated basketballs. The machine works best with 4 to 5 basketballs.

Troubleshooting Support

For troubleshooting help and other information, visit drdishbasketball.com/support.

Cleaning

Use a damp cloth to wipe exterior of machine free of dust and residue.

⚠ WARNING ⚠ AVERTISSEMENT

To reduce the risk of electrical shock, unplug before cleaning or servicing.
Pour réduire le risque d'électrocution, débranchez-le avant de le nettoyer ou de l'entretenir.

IMPORTANT: Avoid Damage! Excessive use may require more frequent service intervals. Please use the following timetables to perform routine maintenance on your machine. Proper maintenance will help to ensure overall performance and longevity of the machine. **Our maintenance videos can be found online and offer a step by step demonstration of the following intervals.**

*** Before any internal inspections are performed, machine must be unplugged to ensure safety. On Dr Dish model machines, please be sure that the throwing arm is in the most forward position to prevent an accidental launch during inspection. ***

⚠ WARNING ⚠ AVERTISSEMENT

To reduce the risk of electrical shock, unplug before cleaning or servicing.
Pour réduire le risque d'électrocution, débranchez-le avant de le nettoyer ou de l'entretenir.

Maintenance Schedule

The total shots can be found by going into Settings on the machine screen and looking for Total Shots.

Service Intervals

Break-In After 2,000 Shots

- Check all shroud bolts (tighten if necessary)
- Check HUD/Touch Screen mounting bolts (tighten if necessary)
- Check front and rear caster mounting bolts (tighten if necessary)
- Inspect that all visible cables/wires are secure (replace cable ties if necessary)

Weekly (Daily During Times of Heavy Use)

- Wipe machine down (a multi-purpose cleaner is recommended)
- Blow out interior of machine with compressed air (canned air used for electronics, keyboards, computers, etc. is recommended)
- Inspect for loose cables/wires (replace cable ties if necessary)
- Keep It Clean

Continue to next page

SERVICE AND TROUBLESHOOTING

18

Maintenance Schedule Continued

Every 20,000 Shots or Annually

- Check all shroud bolts (tighten if necessary)
- Check HUD/Touchscreen mounting bolts (tighten if necessary)
- Verify USB cable connection is tight
- Check HUD/Touchscreen pivot function (adjust if necessary)
- Check front and rear caster mounting bolts (tighten if necessary)
- Remove any debris from casters
- Inspect that all visible cables/wires are secure (replace cable ties if necessary)
- Check to make sure photo eye is clean and tightly secured
- Check net tension
- Check counter harness connections (visually inspect for damaged plugs and cables)
- Check net system shaft/shaft bolt tightness
- Visually inspect upper feeder and counter head for any stress fractures

Every 75,000 Shots or Every 2 Years

- Remove shrouds and visually inspect components
- Blow out interior of machine with compressed air (canned air used for electronics, keyboards, computers, etc. is recommended)
- Wipe down interior of machine (a multi-purpose cleaner is recommended)
- Inspect cable/wire management (replace cable ties if necessary)
- Verify all harness connections to power board are secure
- Ensure terminals on power supply terminal block are tight
- Check all visible fasteners, making sure they are both present and tight
- Check rotation motor gears and mounting bolts
- Visually check reed switch gaps (ensure switches are secure)
- Verify launch arm bumpers are intact and tight (Qty. 2 lower blue bumpers and Qty. 1 black/orange upper bumper)

Every 150,000 shots or Every 5 years

- Inspect all internal white rollers (replace if necessary)
- Check bearings on both machine and net system
- Check launch arm bolt (remove and grease if necessary)
- Replace launch arm bumpers (Qty. 2 lower blue bumpers and Qty. 1 black/orange upper bumper)
- Inspect all internal components for excessive wear

Please feel free to reach out to our service department with any questions or concerns. We look forward to assisting you and ensuring that your Dr. Dish is always ready for the next workout!

1701 W. 94th Street Suite 225 | Bloomington, MN 55431 | 952-873-2633 | 952-443-8485 fax | info@airborneathletics.com

Limited Warranty

Who does this warranty cover?

This limited warranty (the “Warranty”) is issued by Airborne Athletics, Inc. (“Airborne Athletics”, “we”, or “us”) to you, a purchaser who purchased a new or factory refurbished Dr. Dish or new Dr. Dish branded accessories directly from us. The Warranty covers only you, the original product purchaser. The Warranty cannot be assigned or transferred to any subsequent purchaser or user and is not available to products that were purchased from any source other than Airborne Athletics or an authorized dealer.

What does this warranty cover?

This Warranty covers defects in the product you purchased from an authorized Airborne Athletics retailer (the “Product”) as follows. Airborne Athletics warrants that the Product is free from defects in materials and workmanship and will, under normal and intended use, function substantially in accordance with our Product documentation and technical specifications. Proof of Product purchase is required as a condition to coverage under this Warranty, and the Product requires an online connection to ensure full functionality.

What is not covered by this warranty?

Regardless of the above, the Warranty does not cover the following:

- Damage or loss of access as a result of Airborne’s termination or suspension of your account.
- Data loss and any costs associated with data recovery.
- Normal wear and tear.
- Defects or malfunctions experienced during or caused by use not in conformity with Product documentation and technical specifications.
- Damage caused by misuse, accident, neglect, abuse, alteration, improper or unauthorized modification, or tampering.
- Damage to your property, home, walls, or floors that may result from installation or removal of the Product.
- Product that has been resold.
- Damage caused by improper or incorrectly performed maintenance or repair.
- Damage caused by improper installation, relocation, or uninstallation.
- Damage caused during shipping or delivery.
- Product or Product parts returned without a Return Material Authorization (RMA) number.
- Commercial use of the Dr. Dish Home and iC3 Product.
- Software and software functionality.

WARRANTY CONTINUED

20

What is the warranty period?

The Warranty period begins the date the Product is shipped and lasts for the period specified below for the applicable Product:

Product	Warranty Period
Dr. Dish Commercial (Rebel +, All-Star +, CT+)	5 year or 2 million shots (whichever comes first) coverage for parts and standard domestic shipping of said parts. Labor not included.
Factory refurbished Dr. Dish Commercial (Rebel, Rebel +, All-Star +, CT+)	3 years or 1 million shots (whichever comes first) coverage for parts and standard domestic shipping of said parts. Labor not included.
Dr. Dish Home & Factory refurbished Dr. Dish Home	2 year coverage for parts and standard domestic shipping of said parts. Labor not included.
Dr. Dish iC3	1 year coverage for parts. Labor not included.
Dr. Dish Accessories	1 year coverage for parts. Labor not included.

How do you submit a claim?

Call 952-873-2633 or email info@drdishbasketball.com to report any Product issues and open a claim under the Warranty. Our team will reach out to you to attempt to help resolve your issue. If the issue cannot be addressed remotely, Airborne Athletics may dispatch a general technician to further investigate and troubleshoot.

If your Product has a defect or malfunction covered by this Warranty, Airborne Athletics will repair, replace, or refund the Product at the sole discretion of Airborne Athletics. If Airborne Athletics determines that a Product should be replaced, the replacement may be a new or a re-manufactured Product. Airborne Athletics may not return the original Product to you, nor can Airborne Athletics guarantee replacement or repair of the Product without risk to or loss of data stored on your original Product.

Do not return any Product to Airborne Athletics without first receiving a Return Material Authorization (RMA) number and instructions for how to proceed. Airborne Athletics may require you to furnish proof of purchase and/or comply with other requirements before receiving Warranty service.

WARRANTY CONTINUED

21

What law governs the warranty?

The laws of the State of Minnesota, USA, govern this Warranty, without giving effect to any conflict of laws or principles that may provide the application of the law of another jurisdiction.

AIRBORNE ATHLETICS EXPRESSLY DISCLAIMS ANY AND ALL OTHER WARRANTIES, BOTH EXPRESS AND IMPLIED, INCLUDING ANY WARRANTY OF MERCHANTABILITY OR FITNESS FOR A PARTICULAR PURPOSE.

AIRBORNE ATHLETICS AND ANY THIRD-PARTY SERVICE PROVIDERS OR SUPPLIERS SHALL NOT BE LIABLE FOR PERFORMANCE DEFICIENCIES CAUSED OR CREATED BY YOU OR OTHERS YOU ALLOW TO USE THE PRODUCT. AIRBORNE ATHLETICS DOES NOT WARRANT THAT ITS EQUIPMENT'S PERFORMANCE WILL BE UNINTERRUPTED, ERROR-FREE OR COMPLETELY SECURE. AIRBORNE ATHLETICS AND ANY THIRD-PARTY PROVIDERS OR SUPPLIERS SHALL NOT BE LIABLE FOR SERVICE INTERRUPTIONS CAUSED BY FAILURE OF EQUIPMENT, OTHER SOFTWARE OR SERVICES NOT PROVIDED BY AIRBORNE ATHLETICS OR ITS THIRD-PARTY PROVIDERS OR SUPPLIERS, OR FAILURE OF COMMUNICATIONS, POWER OUTAGES, OR OTHER INTERRUPTIONS NOT WITHIN THE COMPLETE CONTROL OF AIRBORNE ATHLETICS OR ITS PROVIDERS OR SUPPLIERS, EVEN IF AIRBORNE ATHLETICS OR ITS THIRD-PARTY PROVIDERS OR SUPPLIERS KNOW OR HAVE BEEN ADVISED OF THE POSSIBILITY OF SUCH LOSS. IN THE EVENT OF ANY SYSTEM ERROR OR OMISSION, THE SOLE OBLIGATION OF AIRBORNE ATHLETICS SHALL BE TO PROCESS A CORRECTION OF THE ERROR OR OMISSION AS REASONABLY NECESSARY.

AIRBORNE ATHLETICS DOES NOT ASSUME ANY LIABILITY FOR ANY SPECIAL, INDIRECT, INCIDENTAL, PUNITIVE, OR CONSEQUENTIAL DAMAGES OF ANY KIND WHATSOEVER, INCLUDING BUT NOT LIMITED TO LOSS OF PROFITS OR REVENUES, LOSS OF DATA, LOSS OF USE OF THE PRODUCT, COST OF REPLACEMENT OR SUBSTITUTE ITEMS, OR LOSS OF USE DURING THE PERIOD THAT THE PRODUCT IS BEING REPLACED OR REPAIRED. FURTHER, AIRBORNE ATHLETICS SHALL NOT BE LIABLE TO YOU FOR ANY SPECIAL, CONSEQUENTIAL, INCIDENTAL, INDIRECT, OR PUNITIVE DAMAGES OF ANY KIND WHATSOEVER, EVEN IF AIRBORNE ATHLETICS HAS BEEN ADVISED AS TO THE POSSIBILITY OF SUCH DAMAGES, FOR ANY CLAIM ARISING FROM OR RELATED TO THIS WARRANTY STATEMENT, REGARDLESS OF THE FORM OF ACTION, WHETHER IN CONTRACT, TORT (INCLUDING NEGLIGENCE), PRODUCT LIABILITY, LOST REVENUE, LOST PROFIT, LOST DATA, OR PRIVACY, OR ANY OTHER CAUSE OF ACTION OR LEGAL OR EQUITABLE THEORY. IN NO EVENT SHALL AIRBORNE ATHLETICS'S LIABILITY FOR ANY CLAIM ARISING OUT OF OR RELATED TO THIS WARRANTY EXCEED THE PRICE PAID BY YOU FOR PURCHASE OF THE PRODUCT, REGARDLESS OF THE FORM OF ACTION, WHETHER IN CONTRACT, TORT (INCLUDING NEGLIGENCE), PRODUCT LIABILITY, LOST REVENUE, LOST PROFIT, LOST DATA, OR PRIVACY, OR ANY OTHER CAUSE OF ACTION OR LEGAL OR EQUITABLE THEORY.

More Questions?

If you have questions, or to begin the service process, please contact us at info@airborneathletics.com

ACCESSORIES

Accessories Available for Purchase

22

Custom Fit Cover



Custom Graphics Kit



All-Terrain Cart



6' Power Cord



For pricing and to order visit: www.drdishbasketball.com/accessories

CONTACT INFORMATION

Be Better Every Day™



Please contact us with any questions, feedback or concerns related to your Dr. Dish. We are here to help.

Phone: 952-873-2633

Email: info@airborneathletics.com

Fax: 952-443-8485

Mailing: 1701 W 94th St, Suite 225
Bloomington, MN 55431

Let's Connect

For daily basketball drills, tips and inspiration follow us on social media [@drdishbball](#) and tag [#drdishfam](#) to show us how you are putting your Dr. Dish to work!

